

Turbine Meter With Electronic Digital Display

CONTROL MASTER®



366 76X

DESCRIPTION

Turbine meter designed for accurate volume and flow rate measurement of low viscosity fluids.

SUITABLE FOR THE FOLLOWING FLUIDS

Water, AUS 32 (AdBlue® / DEF), Diesel, Windshield washer fluid.

AVAILABLE PRODUCTS

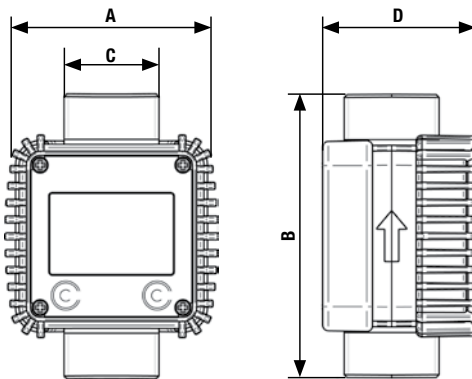
Part No. 366 760



Part No. 366 761



Part No. 945 708



A	B	C	D
75 mm (2.9")	100 mm (3.9")	1" BSP	54 mm (2.1")

TECHNICAL SPECIFICATIONS

FLOW RATE (RANGE)	5 → 120 l/min (1.3 → 32 US gal/min)
WORKING PRESSURE (MAX.)	10 bar (145 psi)
BURSTING PRESSURE	40 bar (580 psi)
WORKING TEMPERATURE (RANGE)	-10 → + 50 °C (14 → 122 °F)
PRESSURE DROP	0.30 bar at 100 l/min. (5 psi at 26.4 US gal/min)
FLUID VISCOSITY (RANGE)	2 → 5.35 cSt
ACCURACY (10 - 90 L/MIN.)	±1% after calibration
DISPLAY	Two line LCD: • Five digit batch reading • Resettable total (up to 999999 x 100) or Permanent total (up to 999999 x 100) or Flow rate
POWER SUPPLY	Alkaline batteries 2 x 1.5 V AAA
WEIGHT (APPROX.)	0,25 kg - 0.5 pounds (batteries included)
PROTECTION GRADE	IP65
WETTED MATERIALS	Ceramic, Reinforced Polyamide, Stainless steel