

Electronic Grease Meter

EGM700

BENEFITS

- Shock proof
- Clear to read
- Increased durability
- Easy to replace batteries
- Calibration function



YouTube

FLOW RANGE	Up to 2,5 kg/min (5.5 lb/min)
MAX. PRESSURE	700 bar (10,150 psi)
ACCURACY	± 2%
REPEATIBILITY	± 0,2%

Large LCD Display

Larger digits, show batch volume dispensed.

Battery level indicator.



Units of measure (Grams, Kilograms, Ounces, Pounds).

The smaller digits can show either the resettable total (TRIP) or the permanent total (TOTAL).

Two buttons to select the different modes. Choose between the units of measure or start the calibration process.

Standard "AAA" batteries

Two "AAA" standard alkaline batteries provide the power required for an effective operation.

Aluminium body

Forged aluminium measuring chamber and post machining process.

Oval gear technology

Acetal oval gear.

Strengthened PC cover

Housing made of polycarbonate with TPE overmoulding.



EGM700 Electronic Grease Meter

TECHNICAL SPECIFICATIONS

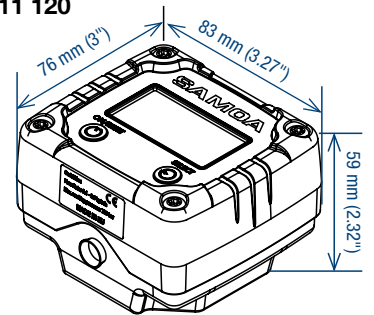
	ELECTRONIC METER	PULSE METER
Fluid	Grease (up to NLGI-2)	Grease (up to NLGI-2)
Flow range	0,1 to 2,5 kg/min (0.22 to 5.5 lb/min)	0,1 to 2,5 kg/min (0.22 to 5.5 lb/min)
Maximum working pressure	700 bar (10,150 psi)	700 bar (10,150 psi)
Pulses rate	1,11 ppg / 1100 ppkg 34.47 ppoz / 503.49 pplb	1,11 ppg / 1100 ppkg 34.47 ppoz / 503.49 pplb
Accuracy	± 2%	± 2%
Repeatability	± 0,2%	± 0,2%
Inlet	1/8" BSP (F)	1/8" BSP (F)
Outlet	1/8" BSP (F)	1/8" BSP (F)
Maximum/minimum totalizer	0.001 to 999999 units	-
Maximum/minimum recorded dispense	0.001 to 99999 units	-
Working temperature range	-10 °C to 55 °C (14 °F to 131 °F)	-10 °C to 55 °C (14 °F to 131 °F)
Power supply	2 x "AAA" alkaline	24 V
Wetted parts	Aluminium, Acetal, NBR, Stainless steel	Aluminium, Acetal, NBR, Stainless steel
Weight	528 g (1.16 lb)	505 g (1.11 lb)
Units of measure	Grams / Kilograms, Ounces / Pounds	Grams / Kilograms, Ounces / Pounds



411 110

415 012

411 120



ORDER INFORMATION

PART No.	MODEL	DESCRIPTION
411 110	EGM700-18	Electronic grease meter, 1/8" inlet / outlet connection
411 120	EGM700-18P	Pulse meter, 1/8" inlet / outlet connection
415 012	PG500-14FM	Electronic-metered grease gun, flexible outlet



SAMOA INDUSTRIAL, S.A. - HEADQUARTERS
 SPAIN AND EXPORT MARKETS
 POL. IND. PORCEYO, 1-14 - CAMINO DEL FONTÁN, 831
 E-33392 GJÓN (ASTURIAS), SPAIN
 TEL.: +34 985 381 488 - FAX: +34 985 147 213
 export@samoaindustrial.com - www.samoaindustrial.com

SAMOA LTD.
 UNITED KINGDOM AND REP. OF IRELAND
 sales@samoaltd.uk - www.samoaltd.uk

SAMOA S.A.R.L.
 FRANCE
 samoafrence@samoafrence.com - www.samoafrence.com

SAMOA-HALLBAUER GMBH
 GERMANY AND AUSTRIA
 info@samoahallbauer.de - www.samoahallbauer.de

SAMSON CORPORATION
 NORTH AMERICA
 info@samsoncorporation.com - www.samsoncorporation.com

SAMOA CHINA SALES OFFICE
 china@samoaindustrial.com



©Copyright, SAMOA INDUSTRIAL, S.A.

SAMOA Industrial, S.A. is an ISO 9001, ISO 14001 and ISO 45001 certified company.