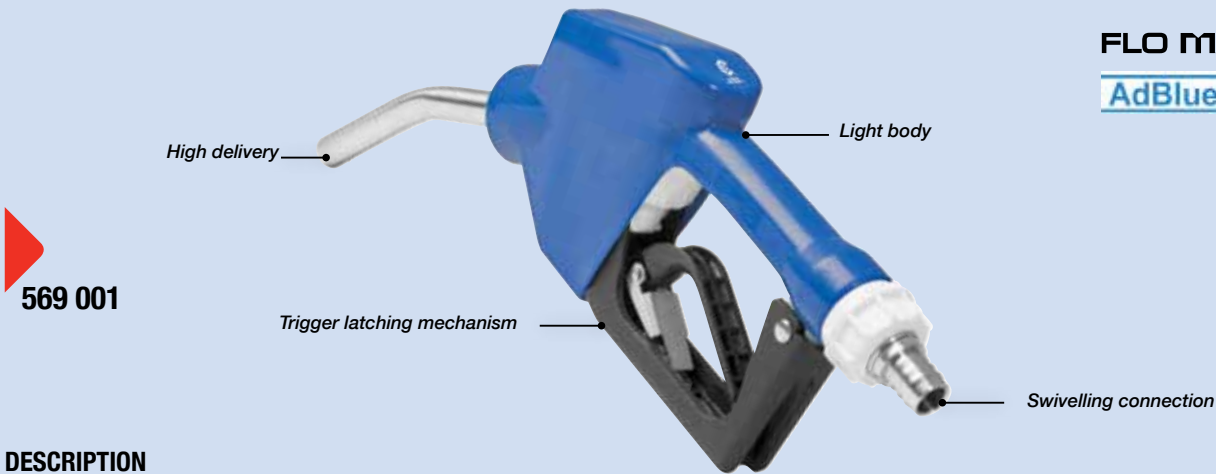


AdBlue® / DEF Automatic Nozzle

FLO MASTER®
AdBlue® Urea



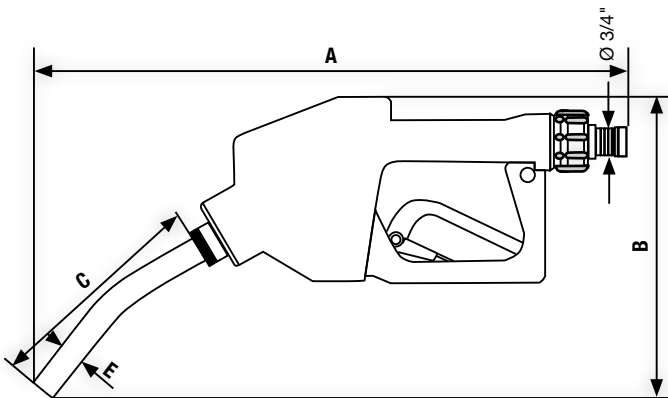
569 001

DESCRIPTION

Polypropylene and Stainless steel automatic nozzle designed for delivering AdBlue® / DEF. Keeping the same functionality, it is much lighter than any other automatic AdBlue® / DEF nozzle. It is robust and includes a trigger latching mechanism to ease fluid delivery at different flow rates and a plastic and stainless steel swivel to 3/4" hose barb to allow an easy hose connection by using a hose clamp.

SUITABLE FOR THE FOLLOWING FLUIDS:

Aus 32 (AdBlue® / DEF)
Water



A	B	C	E
423 mm (17")	216 mm (8.5")	156 mm (6")	Ø18,5 mm (0.7")

TECHNICAL SPECIFICATIONS	
PART No.	569 001
MAX. FLOW RATE	45 l/min (11.1 gal/min)
MAX. WORKING PRESSURE	5 bar (72.5 psi)
WEIGHT (APPROX)	0,9 kg (2 pounds)
MINIMUM FLOW RATE REQUIRED FOR AUTOMATIC SHUT-OFF	12 l/min (3 gal/min)
WETTED PARTS	Stainless steel, Viton®, PP
SPARE PARTS / ACCESSORIES	

945 731	 Polypropylene and stainless steel swivel fitting 1" BSP F - 3/4" hose barb
945 768	Stainless steel swivel 1" BSPF -3/4" hose barb

