

UN Approved Plastic Jerrycans

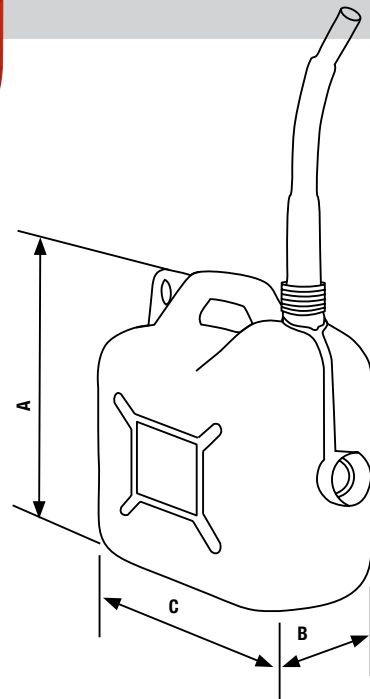
PRO MASTER®

621 0XX



DESCRIPTION

Suitable solution for storing and supplying fuel. Manufactured in a resistant red opaque HDPE. Product includes cap to avoid spillage and spout to ease delivery. They are ideal for keeping a fuel safety stock or for manually refuelling machines or vehicles where needed. There are three sizes available, all of them UN Approved.



TECHNICAL SPECIFICATIONS						
PART No.	A	B	C	NOMINAL CAPACITY	MAX. CAPACITY	FLUID CONTAINED MAX. DENSITY
621 005	23.5 cm (0.8')	13 cm (0.4')	27 cm (0.9')	5l (1.3 gal)	5l (1.3 gal)	1.2 Kg/l / 10 lb/gal
621 010	31 cm (1')	16.5 cm (0.6')	32.5 cm (1.1')	10 l (2.6 gal)	10 l (2.6 gal)	
621 020	35 cm (1.1')	20 cm (0.7')	39.5 cm (1.3')	20 l (5.2 gal)	22 l (5.8 gal)	