

2" NON-METALLIC PUMPS

The 2" Air Operated Diaphragm Pumps made of injected moulded plastic parts can reach a flow rate up to 680 l/min (185 GPM). They are available in natural or conductive polypropylene and PVDF for optimum fluid compatibility and corrosion resistance. Lateral offset inlet and outlet ports to avoid eventual material leaks onto the pump footprint. The discharge and inlet manifolds can rotate 180° for maximum pump installation versatility. The flagged bolted patten meets both DIN and ANSI standards. These pumps are used for transferring, filling, recirculating and batch dispensing in a variety of industries.



MAIN APPLICATIONS

- OIL & GAS/PETROCHEMICAL
- PAINT & COATING INDUSTRY
- CHEMICAL PROCESSING
- WASTER WATER/WATER TREATMENT
- FILTER PRESS (WATER DISPOSAL)
- PLANT & MECHANICAL ENGINEERING
- PULP & PAPER/CARDBOARD
- POWER STATIONS (ENERGY)
- TANK FARM/BULK TRANSFER



TECHNICAL DATA

METAL PUMPS

Pressure Ratio	1:1
Maximum Free Delivery	680l/min (185 US gal/min)
Air pressure range	1,5 to 7 bar (22 to 100 psi)
Solids in suspension, Max. size	6,4 mm (1/4")
Max dry suction lift	5m (16')
Max wet suction lift	8 m (26')
Fluid inlet/outlet ports (Flanged)	2" ANSI/DIN. Side Ends.
Air Inlet Port (Female)	3/4" BSP (F)
(Female)	3/4" NPT (F)
Air Exhaust Port (Female)	1 1/2" NPT (F)
Sound level	85 db (A) @ 50 Cycles/min @ 70 psi
Weight (Plastic version)	28 kg (62 lb)

PUMP NOMENCLATURE

UX20X	XXX	XXX
--------------	------------	------------

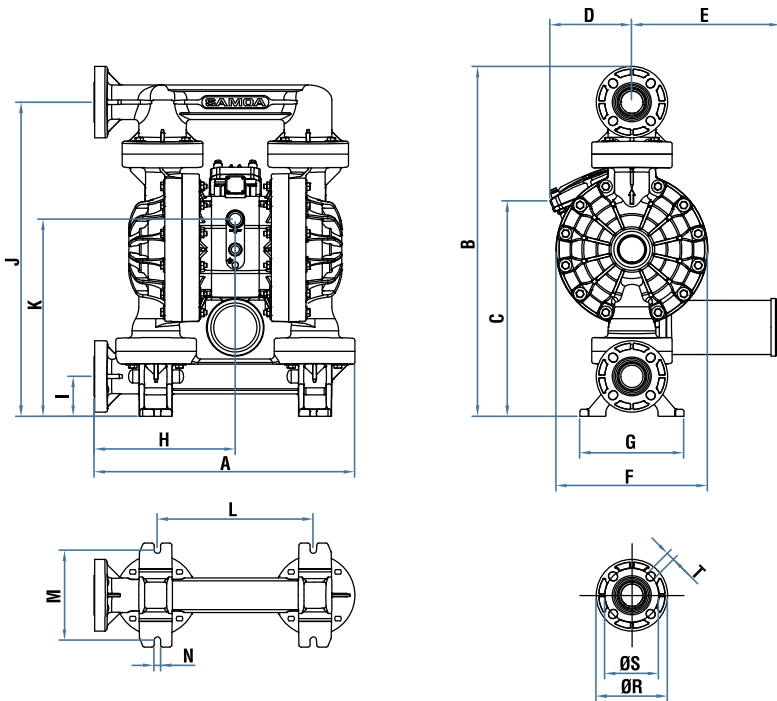
PUMP TYPE		AIR BODY	WETTED PATH		VALVES & DIAPHRAGMS		
1 Pump Type & Size	2 Center Body & Air Caps	3 Fluid Ports	4 Fluid Caps & Manifolds	5 Hardware Bolts	6 Valve Seats	7 Valve Balls	8 Diaphragms Type & Material
UP20 Standard Pump (Bolted)	B- Conductive* Polypropylene (black)	F -2" ANSI/DIN Flanged Ports Side Ends.	B- Conductive* Polypropylene (black)	S -Stainless Steel	P -Polypropylene W -PVDF(Kynar)	N -Nitrile (Buna-N) V -FKM (Viton®) H -Hytre® M -Santoprene® T -PTFE(Teflon®)	Conventional C -Hytre® A -Santoprene® V - FKM (Viton®) G - Nitrile (Buna-N) Two-piece Z -PTFE(Teflon® w/ Santoprene backer) Overmolded N -Nitrile (Buna N) H -Hytre® M -Santoprene® T -PTFE (Teflon®)
UE20 Electronic Interface Accessible Pump	 ATEX Certified		 ATEX Certified P - Polypropylene (white) W -PVDF (Kynar®) (graphite)				

*  Pumps for use in hazardous locations ATEX Group II 2GDx.

Hytre® is a registered trademark of the DuPont Company, Viton® & Teflon® of the Chemours Company and Santoprene® of the Monsanto Company, licensed for Advanced Elastomer Systems, L.P. Kynar® is a registered trademark of Arkema, Inc.

2" NON-METALLIC PUMPS: DIMENSIONS AND CAPACITY CURVES

UP20 NON-METALLIC FLANGED PUMPS



DIMENSIONS (mm)	A	B	C	D	E	F	G	H	I	J	K	L	M	N	R	S	T
CON BRIDA	602	808	497	189	344	350	240	326	92	725	455	360	208	15	165	120,5-125	19
DIMENSIONS (inches)	A	B	C	D	E	F	G	H	I	J	K	L	M	N	R	S	T
CON BRIDA	23 45/65	31 13/16	19 9/16	7 7/16	13 35/64	13 25/32	9 29/64	12 53/64	23/64	28 35/64	17 29/32	14 11/64	8 3/16	19/32	6 1/2	4 3/4-4 59/64	3/4

2" NON METALLIC PUMP CAPACITY CURVES

